

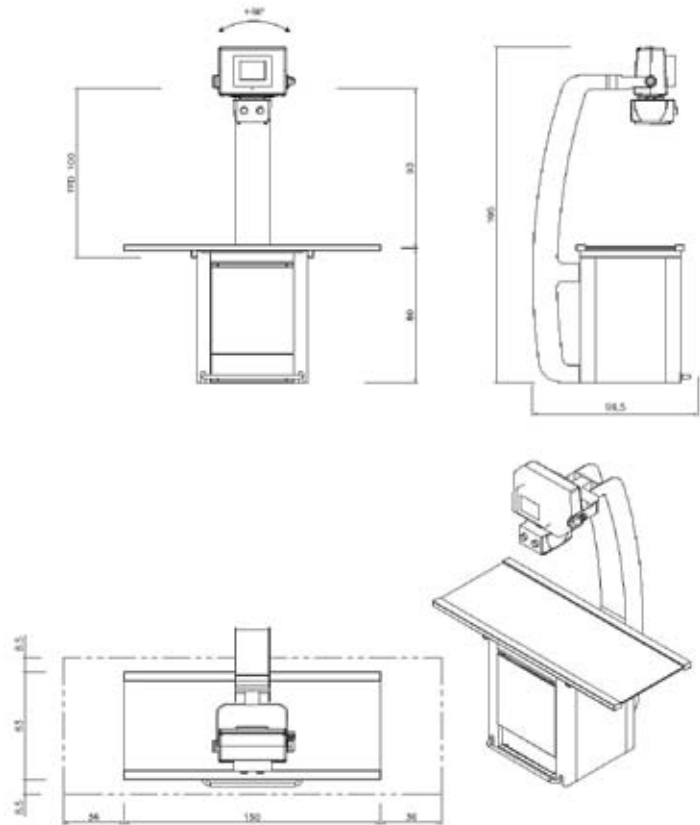


## A Feature-rich Veterinary Solution.

- Easy-to-use X-ray system suitable for all main types of exams
- Float-top table with four-way motion also features a compact, fixed-height column allowing quick positioning for all common views
- Additional accessories and options to support all veterinary needs



# VXR Veterinary Radiological System



## Product Data

### Horizontal Table

Table top dimension: 1500 x 630 mm  
Longitudinal travel: 720 mm ( $\pm$  360 mm)  
Transversal travel: 170 mm ( $\pm$  85 mm)  
Brakes: Mechanical  
Table top– floor distance: 800 mm  
Table top-Digital Detector distance: 70 mm  
Maximum patient weight: 100 Kg

### Column Stand

Column height: 1950 mm  
SID: 1000 mm  
Monobloc rotation on its (X) axis (optional):  $\pm$  90°

### Table Weight & Dimensions

Weight: ~ 115 Kg  
Dimensions: 150 x 96.5 x 195 cm

### X-ray Generator

Type: High Frequency monobloc  
Maximum power: 30 kW (300 mA - 100 kV @ 100 msec)  
Maximum voltage: 125 kV  
Maximum mAs: 315 mAs  
Maximum mA: 400 mA  
Monobloc maximum thermal dissipation: 55 W  
Frequency: 40 kHz  
Total filtration: > 2.5 mm Al @ 75 kV

### X-ray Tube

Type: Rotating X-ray tube  
Focal spot size: 0.6 mm - 1.3 mm  
Maximum voltage: 130 kV  
Anode angle: 15°  
Anode maximum heat dissipation: 80 kJ (107 KHU)  
Maximum continuous anode heat dissipation: 300 W

### Control Console

Type: Microprocessor controller console  
Display type: 5.7" Color TFT LCD touch screen display  
Display resolution: 320 x 240 pixels  
3 Preset anatomical programs: Dog, Cat, Exotic animals  
Languages available: Italian, English, Spanish, French

### 3 Point Operation Mode (kV – mA – time)

kV selection: from 40 to 125 kV [1kV step]

### 2 Point Operation Mode (kV – mAs)

mA selection: from 25 mA to 400 mA [13 steps]  
Time selection: from 0.001 sec to 6,3 sec [35 steps]  
kVp selection: from 40 kV to 125 kV [1 kV step]  
mAs selection: from 0.2 mAs to 315 mAs [27 steps]

### Power Supply

Voltage: 230 Vac Single phase (115 Vac Single phase on request)  
Frequency: 50/60 Hz  
Current consumption: 16 A max.  
Total line resistance: 0.40 Ohm max.  
Automatic line compensation:  $\pm$  10%

### Exposure Control

Two-step pedal

### Safety And Protection

Automatic control and protection of the filament current  
Over current protection  
Overvoltage protection  
X-ray tube overload protection  
Monobloc kHU automatic survey (KHU%)  
Errors alarms with language description

### Collimator

Manual collimator (optional)  
Adjustment from 0x0 to 43x43 cm  
High intensity lamp (160 lux) for X-ray field simulation  
Automatic lamp switch off after 30 seconds  
Retractable tape  
Collimator—monobloc connecting cone

### Generator Weight & Dimensions

Weight: 40 kg  
Dimensions: Cm 39 x 45 x 43